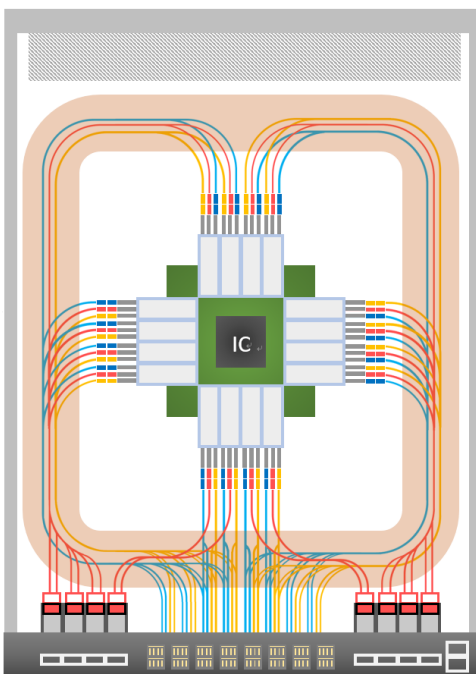


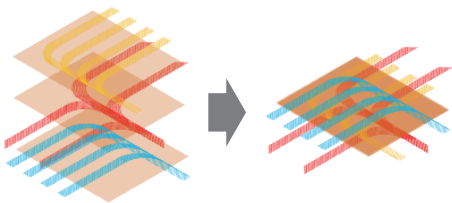


High Bandwidth Fiber Shuffle Solution with Pre-terminated Multi-Fiber Connectivity

Optec is a leading JDM and ODM of Fully Customized High Bandwidth Fiber Shuffle Solution in Co-Packaged Optics (CPO) related industry. Over the last decade, Optec is well-experienced in seamless collaboration with multi-national GPU-Focus brands, CPO switch partners with applications in Artificial Intelligence or Machine Learning and high performance computing hardware manufacturers, in order to deliver a various form factors of Ultra High Density (1000+) Fiber Count Shuffle to meet and exceed customer's expectation.



Thin Film Fiber Shuffle on CPO Application



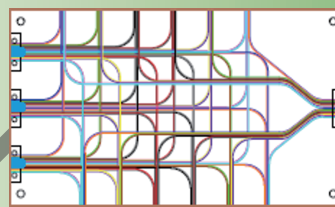
Stackable Thin Film Layers Design

Optec's Core Capabilities as CPO enabler:

- 1. Customizability:** Co-developed thin film shuffle design through customer centricity focus and capable to offer 1000+ Fiber Counts shuffle circuitry.
- 2. Flexibility:** Integrated bend insensitive fibers and substrates material make CPO design and assembly process easy.
- 3. Compatibility:** Available for various shuffle sizes, lamination substrate materials, multiple fiber types, fiber arrays and interconnects.
- 4. Manufacturability:** Utilized fully automated high precision fiber routing technology to maximize the production efficiency.
- 5. Scalability:** In-house developed fiber routing machine can optimize the productivity to meet increased demands.
- 6. Durability:** Fiber crossovers are designed to minimize stress across optical fibers
- 7. Reliability:** Complied with precised fiber mapping inspection by customized test fixture.
- 8. Traceability:** Implemented a serial code tracing system on each ex-factory fiber shuffle.



Semi Automated Fiber Laying



CAD Schematic Design



Fully Automated Fiber Laying



Your Optical Interconnect Solution Partner



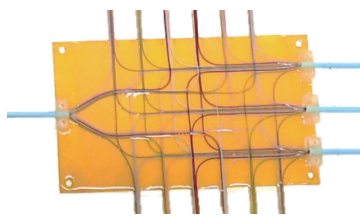


High Bandwidth Fiber Shuffle Solution with Pre-terminated Multi-Fiber Connectivity

Field Applications in Different Scenarios:

Chips to Chips (CPO)	Optical Cross-Connect (OXC)	High Bandwidth Optical Switching	Customized Cable Management	System Interconnect
----------------------	-----------------------------	----------------------------------	-----------------------------	---------------------

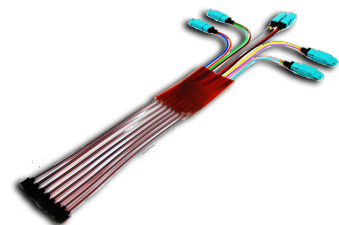
Customized Shuffle Form Factors:



Thin Film Shuffle



Shuffle Box



Breakout Shuffle

Parameter	MIN	Typical	MAX	Unit
Storage Temperature	-55		+125	°C
Operating Temperature	-40		+100	°C
Optical Fiber Nominal OD		250		µm
Circuit Thickness	0.6		1.2	mm
Matched Length Tolerance		<+/-4		mm

Remarks: Refer to the specification of Thin Film Shuffle

Pre-terminated Interconnect Options:

2D Fiber Array	MPO/MT Ferrule	Expanded Beam I/O	VSFF I/O	Single Channel I/O
----------------	----------------	-------------------	----------	--------------------



Remarks:
MTP®, MXC®, MDC®, MMC® are the trademarks of USConec;
CS®, SN® are the trademarks of Senko.

Contact: enquiry@optectechnology.com



Website
www.optectechnology.com



Product Page
www.optectechnology.com/?route=product&product_id=30



Download this flyer



Your Optical Interconnect Solution Partner

