

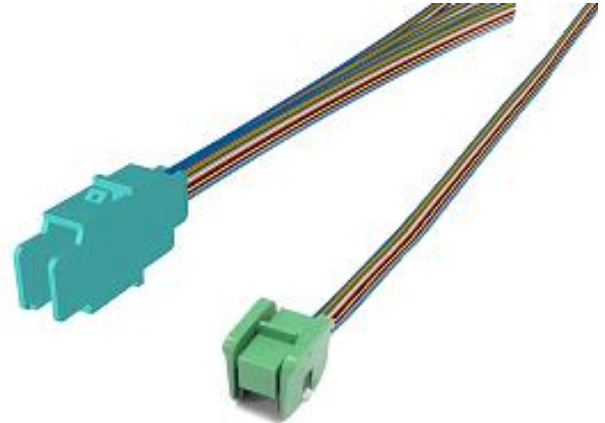


MXC® Multi-fibers Cable Assemblies

MXC® to Prizm LightTurn® Assemblies

The newest MXC® optical interconnect solutions utilize the expanded-beam MT technology to provide cutting-edge high-density interconnection. It provides a direct card edge interface to embedded optical engines for a wide variety of equipment interface applications.

Optec certified by USConec as an approved manufacturer to provide fully-customized fiber assemblies using the newest MXC® connector. Our MXC® to Prizm-LT cable assemblies is a convenient backplane solution for high-speed connections from PCB to card edge. The Prizm-LT interface can mate with Avago's miniature MiniPODs/MicroPODs, or to connect with US Conec MOI for direct PCB connection.



Features and Applications

Cutting-edge high-density

132 MXC™ receptacle fit into a 19" 1U panel, increase 40% faceplate space and 59% PCB area

Less sensitive to debris and contamination

Recessed ferrule with expanded-beam MT technology

Reduces cost, complexity and footprint

Eliminated the traditional adapter and reduced component count, increase 40% faceplate space & 59% PCB area

High speed connection solution for blackplane

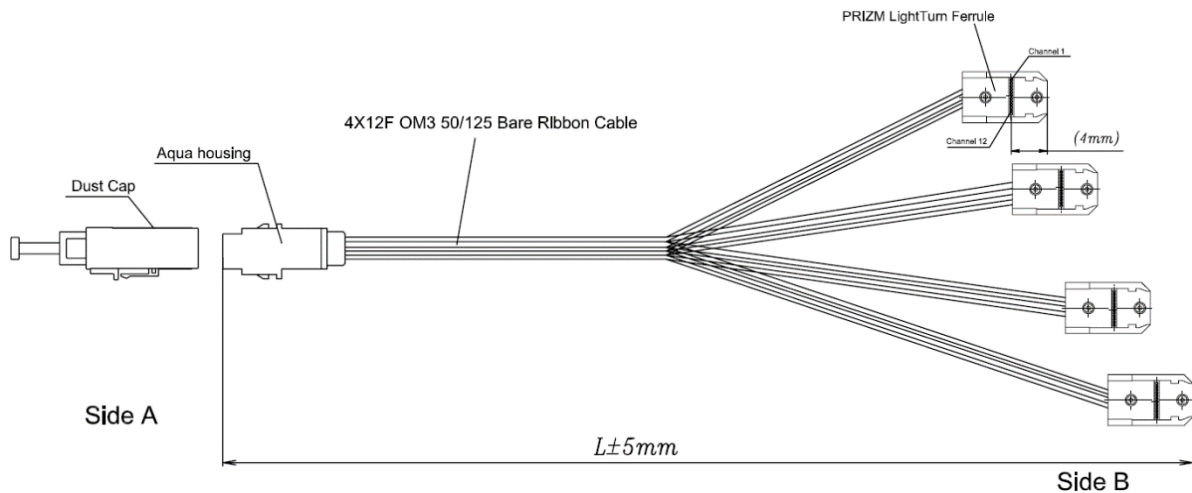
Convenient connection from PCB to card edge by using one-end MXC receptacle, another end Prizm-LT

Terabit per second bandwidth capability

64 fibers each transferring data at 25Gbps, allowing 1.6 TBit/s per connector

Product Illustration & Examples

Example: MXC-Receptacle to 4xPrizm-LT, 48-fiber, OM3, Bare Ribbon Cable



Optec Technology Limited.

Unit 1701, 17/F., North Tower, World Finance Centre, 19 Canton Road, Kowloon, Hong Kong.
Tel: +852-2301-8148 | www.optec.com.hk | sales@optec.com.hk