



Optec provides 3 well-rounded types of value added cable management solutions to maximize performance and protection of network cabling system. These enclosures respectively correspond to support direct splicing and patching cable management, as well as managing and housing easy plug MTP/MPO to LC fiber cassette modules.

With delivering modular Drawer Type and traditional fixed type panel, Optec can satisfy different users' preferences in SAN, LAN and Data Center applications. The pre-installed patch panel solution helps your on-site installation time and cost in a highly efficient manner.

## Features and Applications

### Options of Drawer Type and Fixed Type design

Satisfies different users' applications in cable management

### Available for 1U, 2U, 4U in EIA 19" rackmount

High Flexibility for various usages

### Re-lockable front plate with hinges and ease of removal top plate

Provides extra access to fibers and ease of maintenance

### Modular pull-push drawer (Drawer Type)

Can be removed completely from the panel body for ease of cable management

### Inter-changeable drawers (Drawer Type)

Supports easy reconfiguration for moves, adds and changes

### Adjustable rackmount ears

Fit for different length from front to rear

### High density for MTP/MPO to LC fiber cassette modules

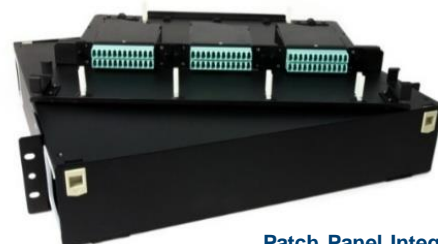
Up to 384-fiber for 4U



Patch Panel for Splicing

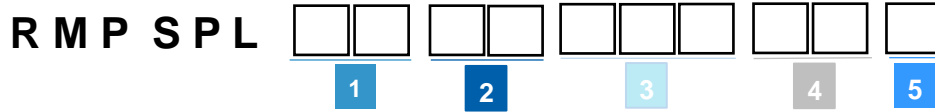


Patch Panel for Patching



Patch Panel Integrated with MTP/MPO Fiber Cassette

### Ordering Information



- 1 Rack Unit**  
 1U = 1U panel  
 2U = 2U panel  
 4U = 4U panel  
 See Note (1), (2), (4)
- 2 Panel Type**  
 D1 = Drawer Type-1  
 D2 = Drawer Type-2  
 F1 = Fixed Type-1  
 F2 = Fixed Type-2  
 See Note (1), (2), (4)
- 3 Fiber Capacity**  
 012 = 12-fiber  
 024 = 24-fiber  
 048 = 48-fiber  
 072 = 72-fiber  
 096 = 96-fiber  
 144 = 144-fiber  
 See Note (2)
- 4 Interface**  
 FC = FC  
 SC = SC  
 ST = ST  
 LC = LC  
 See Note (3)
- 5 Fiber mode**  
 1 = Singlemode: OS1/2  
 2 = Multimode: OM1, OM2  
 3 = Multimode Gigabit: OM3, OM4  
 See Note (3)

**NOTES:**

- (1) Each splicing panels are supplied with splice tray & semi-circular fiber spools, while adapters & adapter faceplates to be purchased separately.
- (2) Panel style availability and fiber capacity:

Panel Style	No. of Slots / Drawers	Max. Fiber Capacity Per Panel		
		FC/ST	SC	LC
1U Fixed Type	2-slot	24F	24F	24F
4U Fixed Type-1 (F1 style)	12-slot (vertical) to house 155mm faceplate	144F	144F	n/a
4U Fixed Type-2 (F2 style)	12-slot (vertical) to house 120mm faceplate	72F	144F	144F
1U Drawer Type	2-slot	24F	24F	48F
1U Drawer Type	3-slot	n/a	n/a	72F
2U Drawer Type (D-1 style)	1-drawer per 2U with 4-slot	48F	48F	48F
2U Drawer Type (D-2 style)	2-drawer with @2-slot (total 4-slot)	48F	48F	48F
4U Drawer Type	4-drawer with @2-slot (total 8-slot)	96F	96F	96F
4U Drawer Type	4-drawer with @3-slot (total 12-slot)	96F	144F	144F

- (3) Adapter color for different fiber mode selection:

Mode	Adapter	FC	SC	ST	LC
Singlemode: OS1/2		Metal	Blue	Metal	Blue
Multimode: OM1, OM2		Metal	Beige	Metal	Beige
Multimode Gigabit: OM3, OM4		Metal	Aqua	N/A	Aqua

- (4) Other than the above structures, we provide customized panel options, please contact our sales team for details



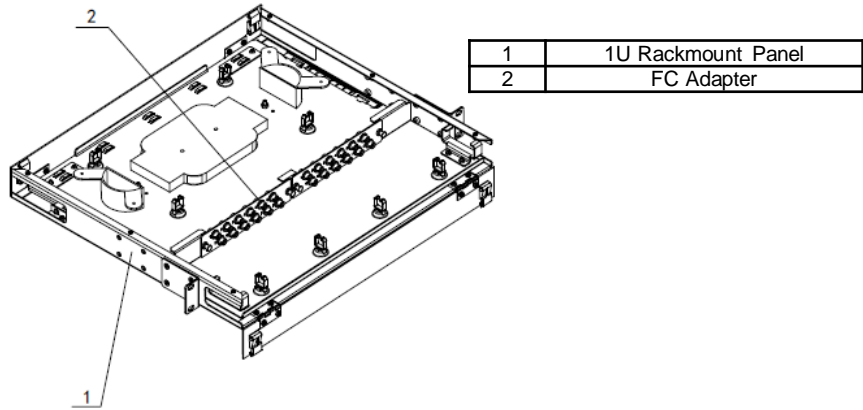
Patch Panel for Splicing

### Product Illustration & Examples

*Example:*

**Ordering code :** RMP-SPL-1U-D1-024-FC-3

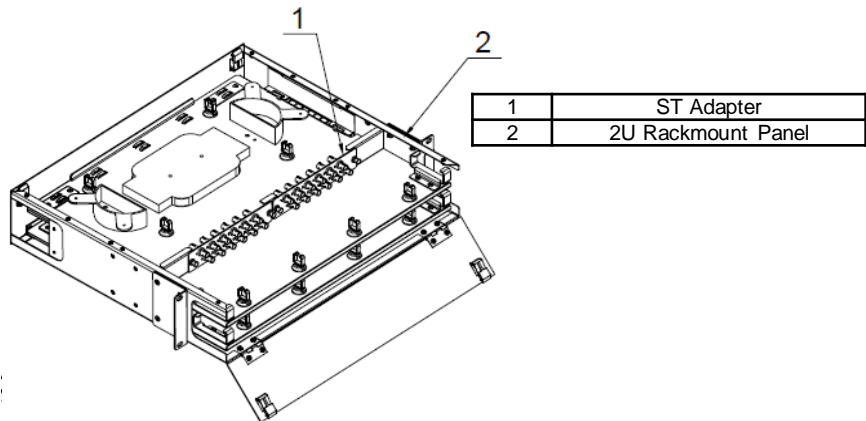
**Item Description:** Rackmount Patch Panel for Splicing, 1U, Drawer type 24-fiber, Loaded with FC Multimode Adapters (with metal housing)



*Example:*

**Ordering code :** RMP-SPL-2U-D2-048-ST-1

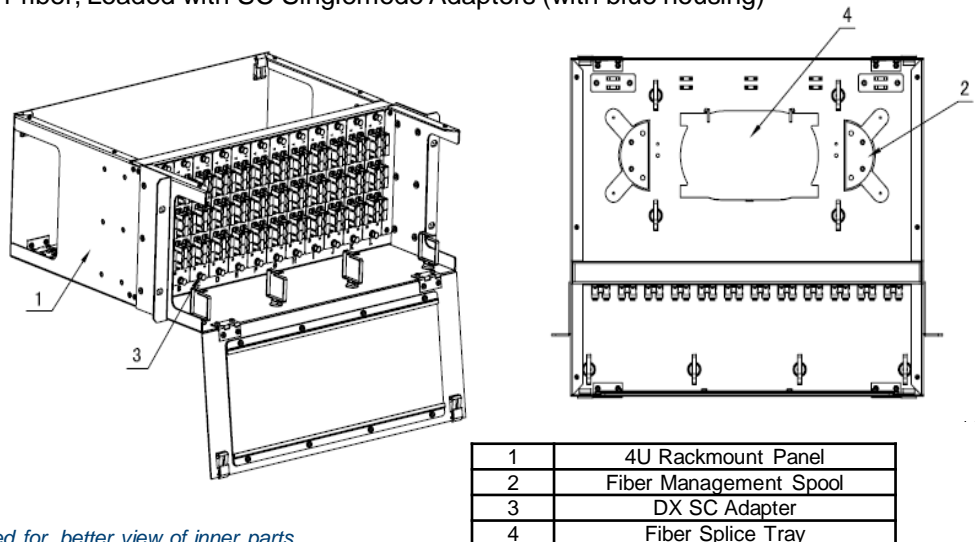
**Item Description:** Rackmount Patch Panel for Splicing, 2U, Drawer Type-2 48-fiber, Loaded with ST Singlemode Adapters (with metal housing)



*Example:*

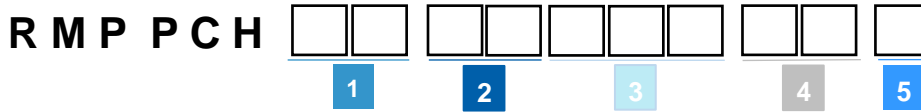
**Ordering code :** RMP-SPL-4U-F1-144-SC-1

**Item Description:** Rackmount Patch Panel for Splicing, 4U, Fixed Type-1, 144-fiber, Loaded with SC Singlemode Adapters (with blue housing)



*\*\* All drawings illustrations are of top plate removed for better view of inner parts*

### Ordering Information



- 1 Rack Unit**  
1U = 1U Panel  
2U = 2U Panel  
4U = 4U Panel  
See Note (1), (2), (4)
- 2 Panel Type**  
D1 = Drawer Type-1  
D2 = Drawer Type-2  
F1 = Fixed Type-1  
F2 = Fixed Type-2  
See Note (1), (2), (4)
- 3 Fiber Capacity**  
012 = 12-fiber  
024 = 24-fiber  
048 = 48-fiber  
072 = 72-fiber  
096 = 96-fiber  
144 = 144-fiber  
See Note (2)
- 4 Interface**  
FC = FC  
SC = SC  
ST = ST  
LC = LC  
See Note (3)
- 5 Fiber mode**  
1 = Singlemode: OS1/2  
2 = Multimode: OM1, OM2  
3 = Multimode Gigabit: OM3, OM4  
See Note (3)

**NOTES:**

- (1) Each patching panels are supplied with 2pcs of round fiber spools, while adapters & adapter faceplates to be purchased separately.
- (2) Panel style options and fiber capacity:

Panel Style	Nos. of slot / drawer	Max. Fiber capacity per Panel		
		FC/ST	SC	LC
1U Fixed Type	2-slot	24F	24F	24F
4U Fixed Type (F-1 style)	12-slot (vertical) to house 155mm faceplate	144F	144F	n/a
4U Fixed Type (F-2 style)	12-slot (vertical) to house 120mm faceplate	72F	144F	144F
1U Drawer Type	2-slot	24F	24F	48F
1U Drawer Type	3-slot	n/a	n/a	72F
2U Drawer Type (D-1 style)	1-drawer per 2U w/ 4-slot	48F	48F	48F
2U Drawer Type (D-2 style)	2-drawer w/ @2-slot (total 4-slot)	48F	48F	48F
4U Drawer Type	4-drawer w/ @2-slot (total 8-slot)	96F	144F	144F
4U Drawer Type	4-drawer w/ @3-slot (total 12-slot)	96F	144F	144F

- (3) Adapter color for different fiber mode selection:

Mode \ Adapter	FC	SC	ST	LC
Singlemode: OS1/2	Metal	Blue	Metal	Blue
Multimode: OM1, OM2	Metal	Beige	Metal	Beige
Multimode Gigabit: OM3, OM4	Metal	Aqua	N/A	Aqua

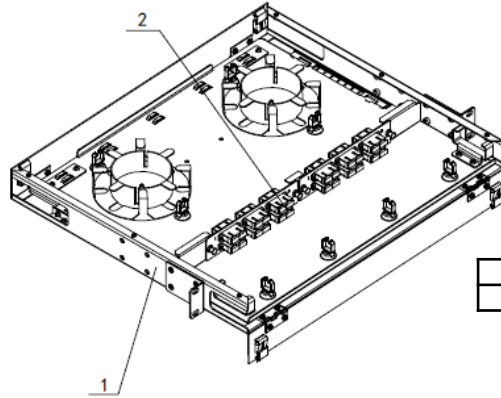
- (4) Other than the above structures, we provide customized panel options, please contact our sales team for details



Patch Panel for Patching

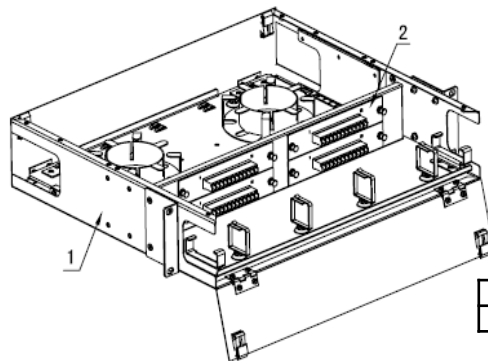
### Product Illustration & Examples

**Example:**      **Ordering code :** RMP-PCH-1U-D1-024-SC-1  
**Item Description:** Rackmount Patch Panel for Patching, 1U, Drawer Type 24-fiber,  
 Loaded with SC Singlemode Adapters(with Blue housing)



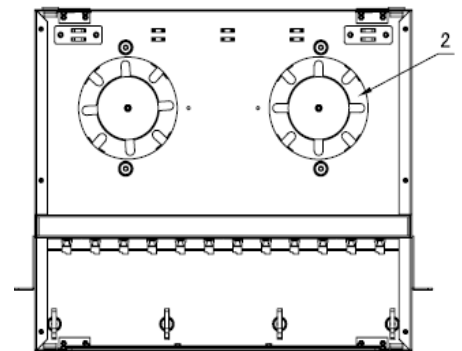
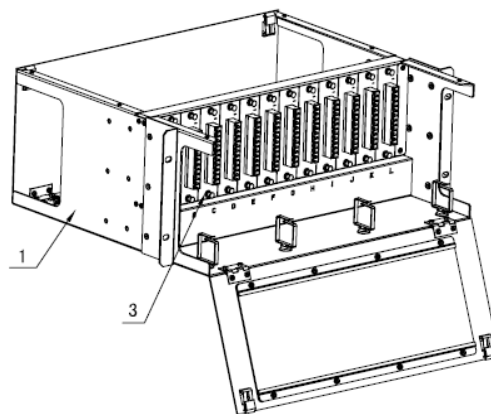
1	1U Rackmount Panel
2	DX SC Adapter

**Example:**      **Ordering code :** RMP-PCH-2U-D1-048-LC-2  
**Item Description:** Rackmount Patch Panel for Patching, 2U,Drawer Type-1 48-fiber,  
 Loaded with LC Multimode Adapters (with Beige housing)



1	2U Rackmount Panel
2	LC Adapter

**Example:**      **Ordering code :** RMP-PCH-4U-F2-144-LC-1  
**Item Description:** Rackmount Panel for Patching, 4U,Fixed Type-2 144-fiber,  
 Loaded with LC Singlemode Adapters (with blue housing)

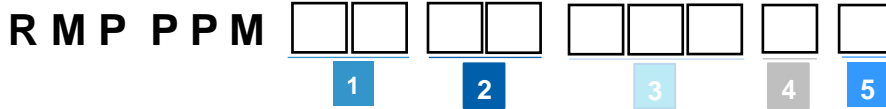


1	4U Rackmount Panel
2	Fiber Management Spool
3	LC Adapter

*\*\* All drawings illustrations are of top plate removed for better view of inner parts*



### Ordering Information



- 1 Rack Unit**  
 1U = 1U Panel  
 2U = 2U Panel  
 4U = 4U Panel  
*See Note (1), (2), (4)*
- 2 Panel Type**  
 D1 = Drawer Type-1  
 D2 = Drawer Type-2  
 F1 = Fixed type 1  
 F2 = Fixed type 2  
*See Note (1), (2), (4)*
- 3 Fiber Capacity**  
 036 = 36-Fiber  
 048 = 48-Fiber  
 072 = 72-Fiber  
 096 = 96-Fiber  
 144 = 144-Fiber  
 192 = 192-Fiber  
 288 = 288-Fiber  
 384 = 384-Fiber  
*See Note (2)*
- 4 Cassette Type**  
Low Loss / Elite  
 U = 12-Fiber Cassette (1x12 Low Loss)  
 V = 24-Fiber Cassette (2x12 Low Loss)  
 W = 24-Fiber Cassette (1x24 Low Loss)  
Standard Low  
 X = 12-Fiber Cassette (1x12 Standard)  
 Y = 24-Fiber Cassette (2x12 Standard)  
 Z = 24-Fiber Cassette (1x24 Standard)  
*See Note (1)*
- 5 Fiber mode**  
 1 = Singlemode: OS1/2  
 2 = Multimode: OM1, OM2  
 3 = Multimode Gigabit: OM3, OM4  
*See Note (3)*

**NOTES:**

- (1) Each Plug-&-play PPM panels are without fiber cassette and hydra assembly, please purchase cassette separately.
- (2) Panel style availability and fiber capacity:

Panel Style	Nos. of Slot per Panel	@1x12F MTP-LC Cassette	@2x12F MTP-LC Cassette	@1x24F MTP-LC Cassette
1U Fixed Type	3-slot	36F	72F	72F
1U Fixed Type	4-slot	48F	96F	96F
1U HD Fixed Type	2-slot for HD cassette (72F per cassette)	144F	144F	144F
4U Fixed Type (F-2 style)	12-slot to house 120mm cassette	144F	288F	288F
1U Drawer Type	3-slot	36F	72F	72F
1U Drawer Type	4-slot	48F	96F	96F
2U Drawer Type (D-1 style)	1-drawer per 2U w/ 6- or 8-slot	36F/48F	72F/192F	72F/192F
2U Drawer Type (D-2 style)	2-drawer w/ @3-slot (total 6-slot)	72F	144F	144F
2U Drawer Type (D-2 style)	2-drawer w/ @4-slot (total 8-slot)	96F	192F	192F
4U Drawer Type	4-drawer w/ @3-slot (total 12-slot)	144F	288F	288F
4U Drawer Type	4-drawer w/ @4-slot (total 16-slot)	192F	384F	384F

- (3) Adapter color for different fiber mode selection:

Adapter	FC	SC	ST	LC
Singlemode: OS1/2	Metal	Blue	Metal	Blue
Multimode: OM1, OM2	Metal	Beige	Metal	Beige
Multimode Gigabit: OM3, OM4	Metal	Aqua	N/A	Aqua

- (4) Other than the above structures, we provide customized panel options, please contact our sales team for details



**4U Fixed Type for Patch Panel Integrated with MTP/MPO Fiber Cassette**



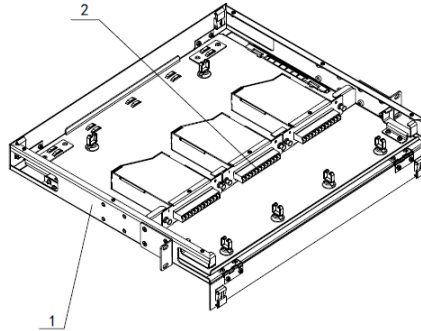
**4U Drawer Type for Patch Panel Integrated with MTP/MPO Fiber Cassette**

### Product Illustration & Examples

*Example:*

**Ordering code :** RMP-PPM-1U-D2-036-12-X-1

**Item Description:** Rackmount Patch Panel, 1U Drawer Type, 36-fiber, House with 3pcs of 12-Fiber MTP-LC Cassettes (using 1x12-Fiber MTP) Loaded with LC Singlemode Adapter (with Blue Housing)

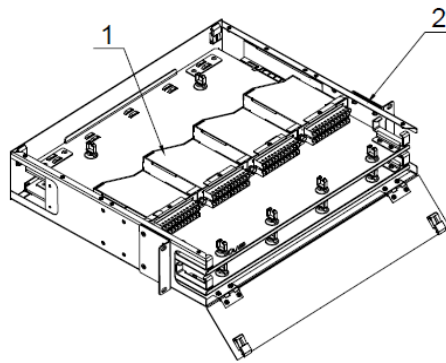


1	1U Rackmount Panel
2	12-Fiber MTP-LC Cassettes

*Example:*

**Ordering code :** RMP-PPM-2U-D2-192-24-Z-3

**Item Description:** Rackmount Patch Panel, 2U Drawer Type, 192-fiber, House with 8pcs of 24-Fiber MTP-LC Cassette (using 1x24-Fiber MTP) Loaded with LC Multimode Gigabit Adapter (with Aqua Housing)

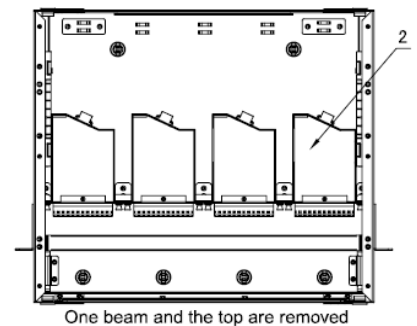
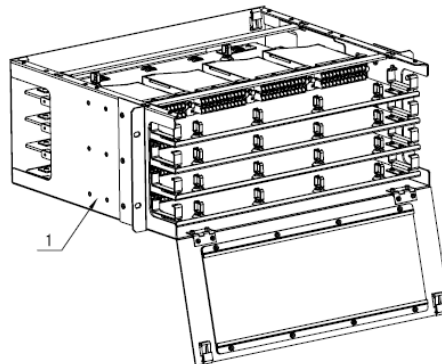


1	2U Rackmount Panel
2	1x24-Fiber MTP-LC Cassettes

*Example:*

**Ordering code :** RMP-PPM-4U-D2-384-24-W-1

**Item Description:** Rackmount Patch Panel, 4U Drawer Type, 384-fiber, House with 16pcs of 24Fiber MTP-LC Elite Cassette (using 1x24-Fiber Elite MTP) Loaded with LC Singlemode Adapter (with Blue Housing)



1	4U Rackmount Panel
2	1x24-Fiber Elite MTP-LC Cassettes

\*\* All drawings illustrations are of top plate removed for better view of inner parts