

Optec provides user friendly and economical cable management solutions for maximizing performance and protection of network cabling. Our wallmount fiber patch panels are used to support direct splicing or cable patching management.

The panel can be flexibly houses with splicing kit set or cable management spools to cater for different applications. Made of high quality steel with beige powder coating, this wallmount patch panel is offered in 12-, 24-, 48-, 72-, 96-, and 144-fiber with total 5 different sizes to fit for different installation and fiber capacity.



Features and Applications

Flexible design with customized configuration support patching or splicing

Available for 12, 24, 48, 72, 96 & 144-fiber capacity
With FC, SC, ST or LC adaptors.

Lockable door to restrict unauthorized access

High security for cable management.

Ease of installation and maintenance.

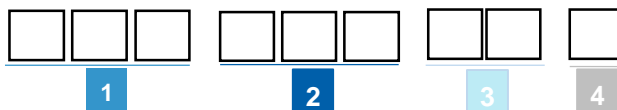
Easy mounting requiring minimal tools with 2-door design

Available with loaded adapters and pigtails

Caters for different deployment in various applications

Ordering Information

W M P



1 Bundle Method

PCH = Patching
SPL = Splicing

2 No. of Fiber

012 = 12-fiber (for Size-1)
024 = 24-fiber (for Size-1)
048 = 48-fiber (for Size-2)
072 = 72-fiber (for Size-3)
096 = 96-fiber (for Size-4)
144 = 144-fiber (for Size-5)

* see Remark-1 for size in (W x H x D) mm

3 Interface

FC = FC
SC = SC
ST = ST
LC = LC

4 Fiber Mode

1 = Singlemode: OS1/2
2 = Multimode: OM1, OM2
3 = Multimode Gigabit: OM3, OM4

* see Remark-2 for adapter color for each fiber modes

Remark-1: Size in (W x H x D) mm

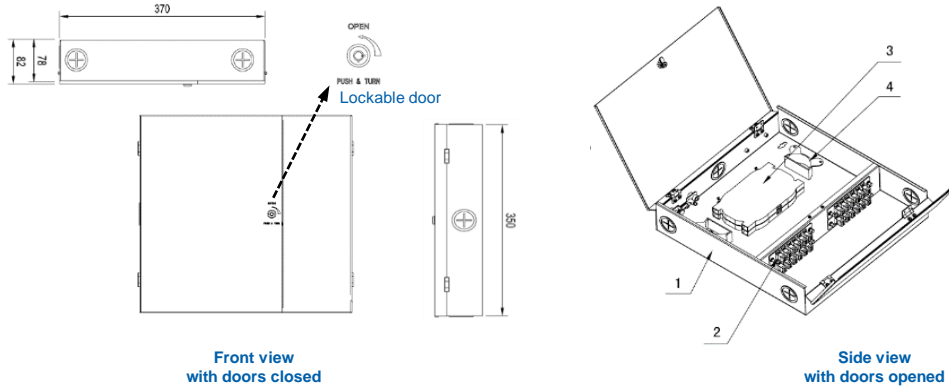
Type	Fiber Count	Size (W x H x D) mm
Size-1	12-, 24-Fiber	370 x 350 x 78
Size-2	48-Fiber	420 x 420 x 78
Size-3	72-Fiber	420 x 420 x 108
Size-4	96-Fiber	420 x 420 x 138
Size-5	144-Fiber	420 x 420 x 198

Remark-2: Adapter color for each fiber modes

Adapter	Mode	FC	SC	ST	LC
	Singlemode: OS1/2		Metal	Blue	Metal
Multimode: OM1, OM2		Metal	Beige	Metal	Beige
Multimode Gigabit: OM3, OM4		Metal	Aqua	N/A	Aqua

Product Illustration & Examples

Example: **Ordering code :** WMP-SPL-024-SC-2
Item Description: Wallmount Panel for Splicing, 24-fiber (Size-1)
 Loaded with SC Multimode Adapters (with beige housing)



Example: **Ordering code :** WMP-PCH-072-SC-1
Item Description: Wallmount Panel for Patching, 72-fiber (Size-3)
 Loaded with SC Singlemode Adapters (with blue housing)

