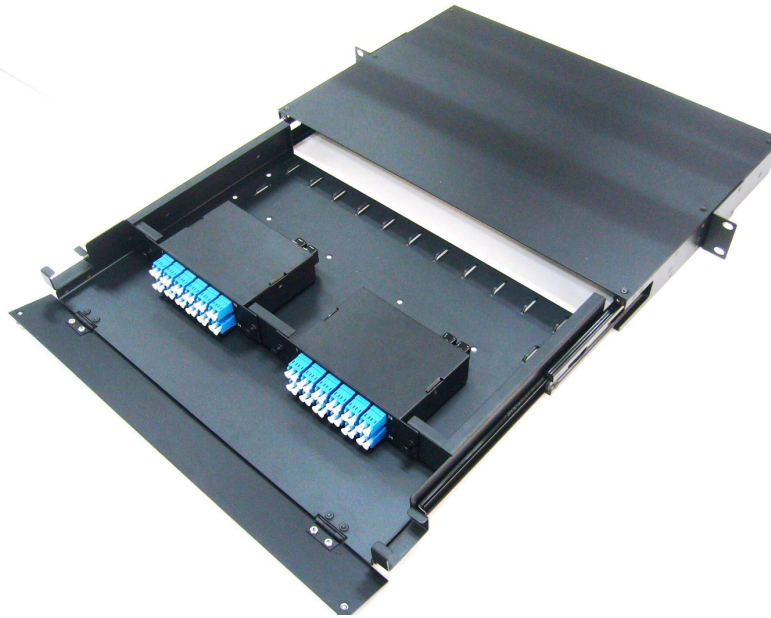


HARDWARE

for cable management

Reference No: MK-0025/1-09
Version: 2.0

1U RACK INTEGRATED WITH CASSETTE MODULES



Features and Applications

- 1U 19" fiber rack
- Flexibly compatible with easy-plug cassette modules
- Easy sliding fiber tray to offer high accessibility to inside fibers
- Re-lockable front plate with hinges
- Adjustable rack-mount ears to fit for different length from front to rear
- Easy removal top plate to provide extra access to fibers and ease of maintenance

Available Options

Options of adapter interface and fiber count for 1U Rack

	24-Fiber	36-Fiber	48-Fiber
FC	Yes	No	No
SC	Yes	Yes	No
ST	Yes	No	No
LC	Yes	Yes	Yes

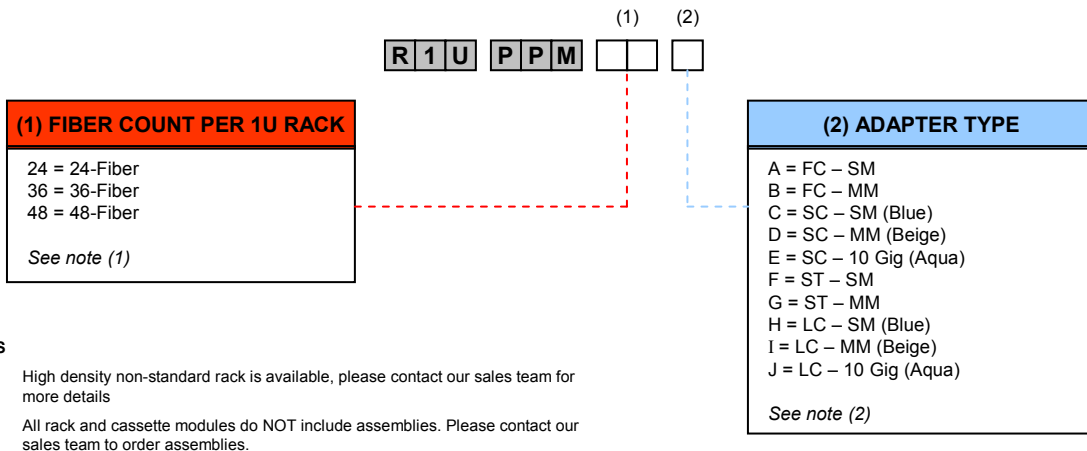
The information and specification in this document are subjected to change without notice.

Optec Technology Ltd.

Unit 701-702, 7/F., Tower 2, Silvercord, 30 Canton Road, Kowloon, Hong Kong.
Tel: +852-2301-8148 Fax: +852-2367-7978
www.optec.com.hk Email: sales@optec.com.hk

Your Valuable Partner in
Connectivity Business

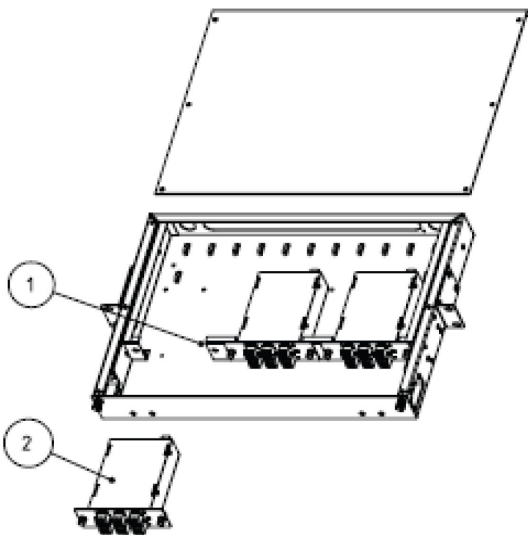
Ordering Information



Product Illustration & Examples

EXAMPLE 1

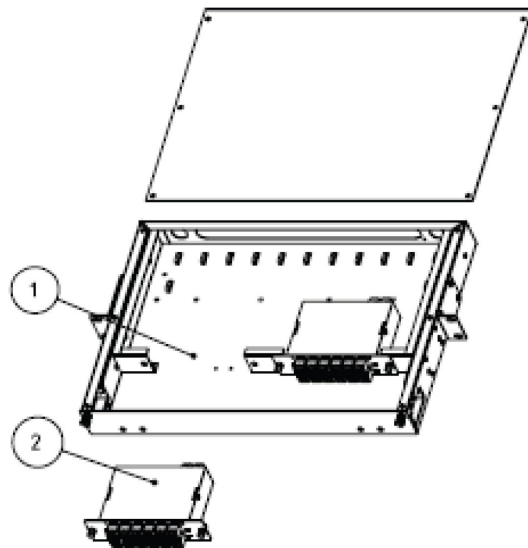
Catalogue No.: R1U-PPM-36-H
Item Description: 1U Rack Enclosure, 36-Fiber, LC-SM (Blue) Adapter



- ① 1U Rack enclosure with sliding tray
- ② L-type cassette modules x 3 pieces
Each cassette loaded with 6 pieces of Duplex LC Adapters
12 Fiber per cassette

EXAMPLE 2

Catalogue No.: R1U-PPM-48-H
Item Description: 1U Rack Enclosure, 48-Fiber, LC-SM (Blue) Adapter



- ① 1U Rack enclosure with sliding tray
- ② W-type cassette modules x 2 pieces
Each cassette loaded with 12 pieces of Duplex LC Adapters
24 Fiber per cassette

The information and specification in this document are subjected to change without notice.

Optec Technology Ltd.

Unit 701-702, 7/F., Tower 2, Silvercord, 30 Canton Road, Kowloon, Hong Kong.
Tel: +852-2301-8148 Fax: +852-2367-7978
www.optec.com.hk Email: sales@optec.com.hk

Your Valuable Partner in
Connectivity Business