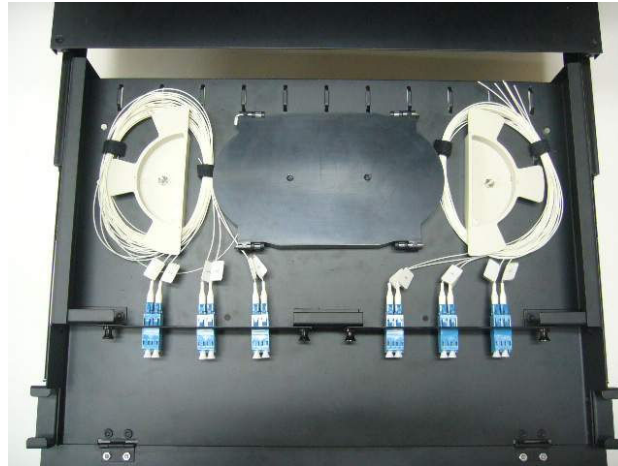


HARDWARE

for cable management

Reference No: MK-0026/1-09
Version: 2.0

1U RACK FOR PATCHING AND SPLICING



Features and Applications

- 1U 19" fiber rack
- Cater for direct splicing cable management
- Easy sliding fiber tray to offer high accessibility to inside fibers
- Re-lockable front plate with hinges
- Adjustable rack-mount ears to fit for different lengths from front to rear
- Easy removal top plate to provide extra access to fibers and ease of maintenance

Available Options

Options of adapter interface and fiber count

	12-Fiber (with 1 pc of splice tray)	24-Fiber (with 2 pcs of splice trays)
FC	Yes	Yes
SC	Yes	Yes
ST	Yes	Yes
LC	Yes	Yes
E2000	Yes	Yes

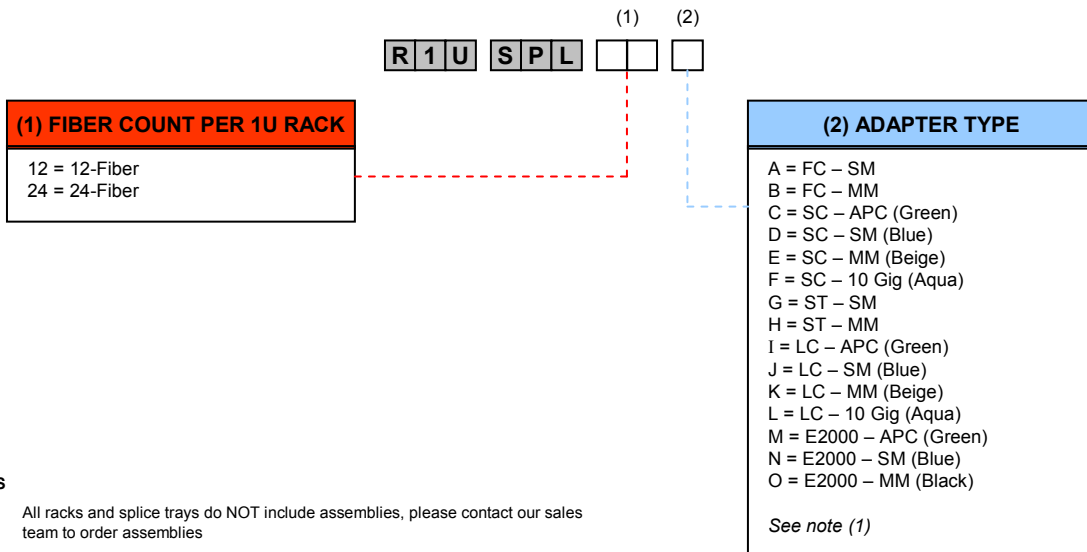
The information and specification in this document are subjected to change without notice.

Optec Technology Ltd.

Unit 701-702, 7/F., Tower 2, Silvercord, 30 Canton Road, Kowloon, Hong Kong.
Tel: +852-2301-8148 Fax: +852-2367-7978
www.optec.com.hk Email: sales@optec.com.hk

Your Valuable Partner in
Connectivity Business

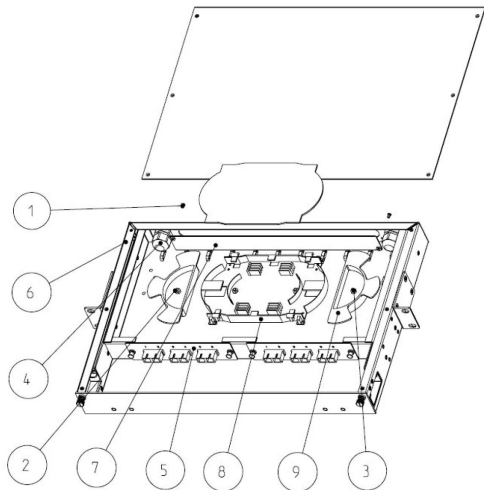
Ordering Information



Product Illustration & Examples

EXAMPLE 1

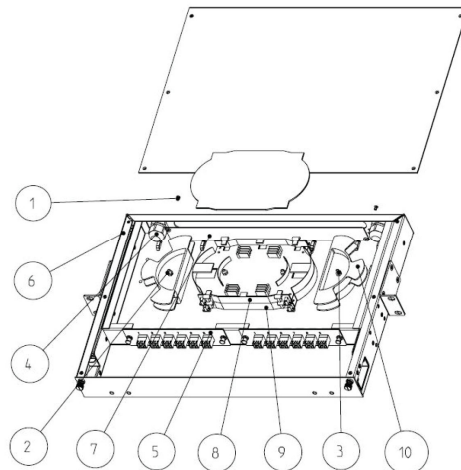
Catalogue No.: R1U-SPL-12-D
Item Description: 1U Rack Splice Tray, 12-Fiber, SC-SM (Blue) Adapter



- | | |
|-------------------------------------|----------------------|
| ① Screw | ⑥ 1U rack enclosure |
| ② Screw nut | ⑦ Back panel |
| ③ Screw | ⑧ Splice tray x 1 pc |
| ④ Nylon cable gland | ⑨ Spool |
| ⑤ Face-plate loaded with SC adapter | |

EXAMPLE 2

Catalogue No.: R1U-SPL-24-I
Item Description: 1U Rack Splice Tray, 24-Fiber, LC-MM (Beige) Adapter



- | | |
|-------------------------------------|-----------------------|
| ① Screw | ⑥ 1U rack enclosure |
| ② Screw nut | ⑦ Back panel |
| ③ Screw | ⑧ Splice tray x 2 pcs |
| ④ Nylon cable gland | ⑨ Splice tray box |
| ⑤ Face-plate loaded with LC adapter | ⑩ Spool |

The information and specification in this document are subjected to change without notice.

Optec Technology Ltd.

Unit 701-702, 7/F., Tower 2, Silvercord, 30 Canton Road, Kowloon, Hong Kong.
Tel: +852-2301-8148 Fax: +852-2367-7978
www.optec.com.hk Email: sales@optec.com.hk

Your Valuable Partner in
Connectivity Business