

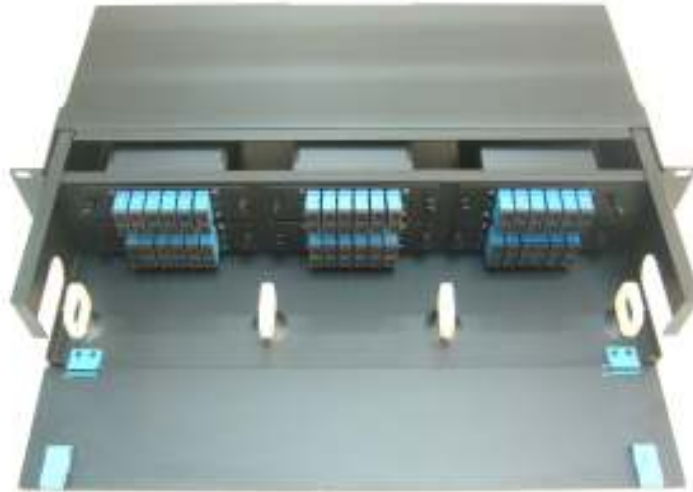
# HARDWARE

for cable management

Reference No: MK-0027/2-11

Version: 2.0

## 2U RACK INTEGRATED WITH CASSETTE MODULES



### Features and Applications

- 2U 19" fiber rack
- Flexibly compatible with easy-plug cassette modules
- Re-lockable front plate with hinges
- Adjustable rack-mount ears to fit for different length from front to rear
- Easy removal top plates, separated into front half top plate and back half top plate to provide extra access to fibers and ease of maintenance

### Available Options

#### Options of adapter interface and fiber count for 2U Rack

	72-Fiber
FC	Yes
SC	Yes
ST	Yes
LC	Yes

The information and specification in this document are subjected to change without notice.

### Optec Technology Ltd.

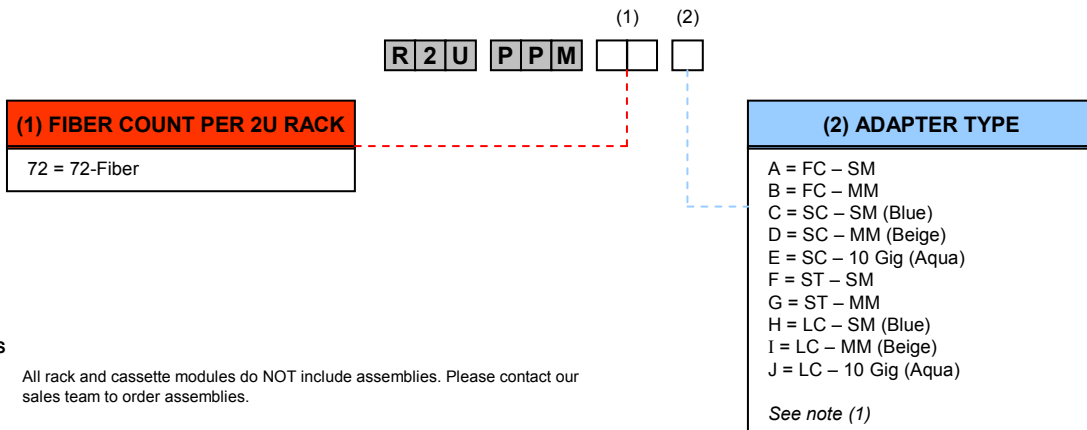
Unit 1701, 17/F., North Tower, World Finance Centre, 19 Canton Road, Kowloon, Hong Kong.

Tel: +852-2301-8148 Fax: +852-2367-7978

[www.optec.com.hk](http://www.optec.com.hk) Email: [sales@optec.com.hk](mailto:sales@optec.com.hk)

Your Valuable Partner in  
Connectivity Business

## Ordering Information



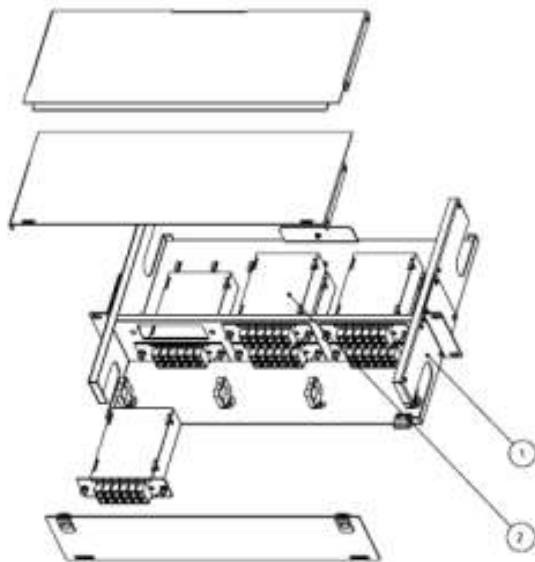
**NOTES**

(1) All rack and cassette modules do NOT include assemblies. Please contact our sales team to order assemblies.

## Product Illustration & Examples

**EXAMPLE 1**

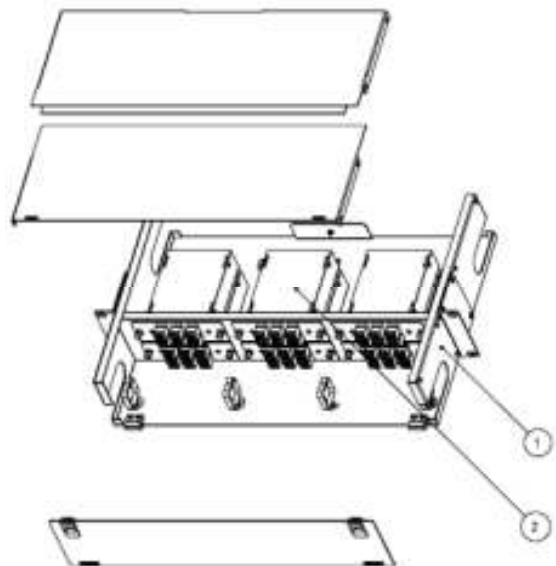
Catalogue No.: R2U-PPM-72-C  
 Item Description: 2U Rack Enclosure, 72-Fiber, SC-SM (Blue) Adapter



- ① 2U rack enclosure
- ② L-type cassette modules x 6 pieces  
 Each cassette loaded with 6 pieces of Duplex SC Adapters  
 12 Fiber per cassette

**EXAMPLE 2**

Catalogue No.: R2U-PPM-72-H  
 Item Description: 2U Rack Enclosure, 72-Fiber, LC-SM (Blue) Adapter



- ① 2U rack enclosure
- ② L-type cassette modules x 6 pieces  
 Each cassette loaded with 6 pieces of Duplex LC Adapters  
 12 Fiber per cassette

The information and specification in this document are subjected to change without notice.

**Optec Technology Ltd.**

Unit 1701, 17/F., North Tower, World Finance Centre, 19 Canton Road, Kowloon, Hong Kong.  
 Tel: +852-2301-8148 Fax: +852-2367-7978  
[www.optec.com.hk](http://www.optec.com.hk) Email: [sales@optec.com.hk](mailto:sales@optec.com.hk)

Your Valuable Partner in Connectivity Business