

# HARDWARE

for cable management

Reference No: MK-0028/2-11  
Version: 2.0

## 4U RACK INTEGRATED WITH CASSETTE MODULES



### Features and Applications

- 4U 19" fiber rack
- Flexibly compatible with easy-plug cassette modules
- Re-lockable front plate with hinges
- Adjustable rack-mount ears to fit for different length from front to rear
- Easy removal top plate to provide extra access to fibers and ease of maintenance

### Available Options

#### Options of adapter interface and fiber count for 4U Rack

|    | 96-Fiber | 120-Fiber | 192-Fiber | 240-Fiber |
|----|----------|-----------|-----------|-----------|
| FC | Yes      | Yes       | No        | No        |
| SC | Yes      | Yes       | No        | No        |
| ST | Yes      | Yes       | No        | No        |
| LC | Yes      | Yes       | Yes       | Yes       |

The information and specification in this document are subjected to change without notice.

### Optec Technology Ltd.

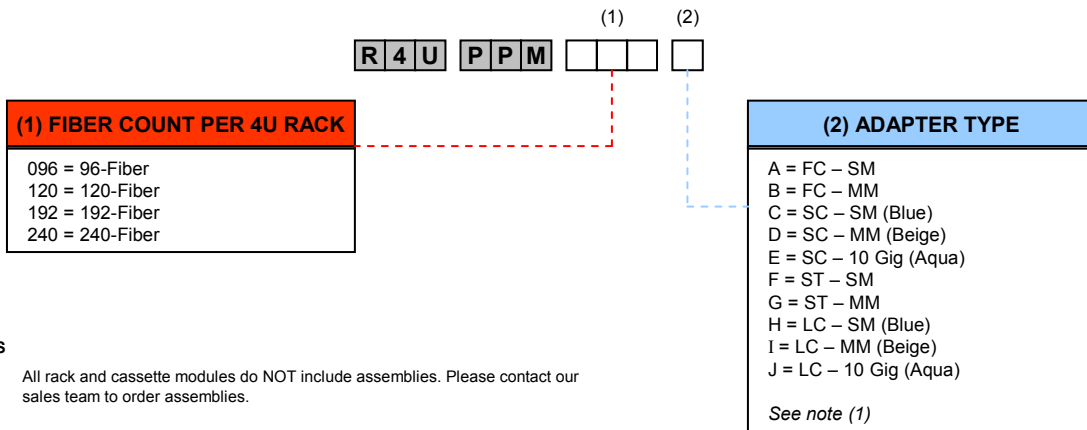
Unit 1701, 17/F., North Tower, World Finance Centre, 19 Canton Road, Kowloon, Hong Kong.

Tel: +852-2301-8148 Fax: +852-2367-7978

[www.optec.com.hk](http://www.optec.com.hk) Email: [sales@optec.com.hk](mailto:sales@optec.com.hk)

Your Valuable Partner in  
Connectivity Business

## Ordering Information



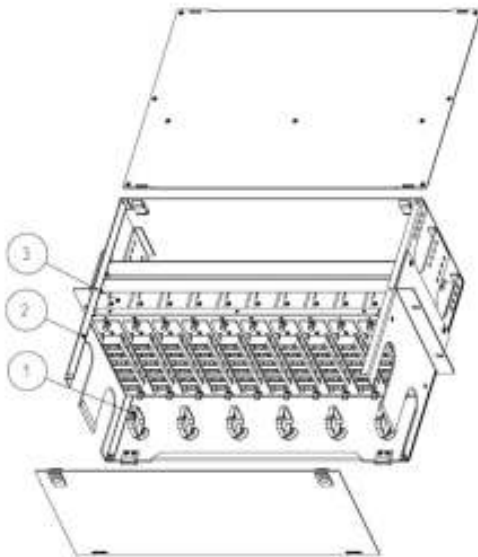
**NOTES**

(1) All rack and cassette modules do NOT include assemblies. Please contact our sales team to order assemblies.

## Product Illustration & Examples

**EXAMPLE 1**

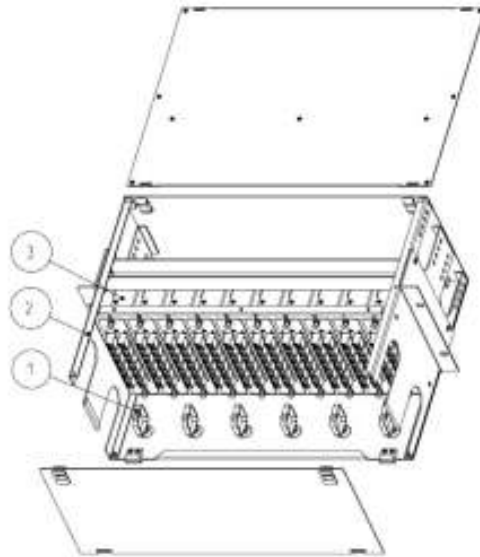
Catalogue No.: R4U-PPM-120-C  
Item Description: 4U Rack Enclosure, 120-Fiber, SC-SM (Blue) Adapter



- ① Wire saddle
- ② 4U rack enclosure
- ③ W-type cassette modules x 10 pieces  
Each cassette loaded with 6 pieces of Duplex SC Adapters  
12 Fiber per cassette

**EXAMPLE 2**

Catalogue No.: R4U-PPM-240-I  
Item Description: 4U Rack Enclosure, 240-Fiber, LC-MM (Beige) Adapter



- ① Wire saddle
- ② 4U rack enclosure
- ③ W-type cassette modules x 10 pieces  
Each cassette loaded with 12 pieces of Duplex LC Adapters  
24 Fiber per cassette

The information and specification in this document are subjected to change without notice.

**Optec Technology Ltd.**

Unit 1701, 17/F., North Tower, World Finance Centre, 19 Canton Road, Kowloon, Hong Kong.  
Tel: +852-2301-8148 Fax: +852-2367-7978  
[www.optec.com.hk](http://www.optec.com.hk) Email: [sales@optec.com.hk](mailto:sales@optec.com.hk)

Your Valuable Partner in  
Connectivity Business