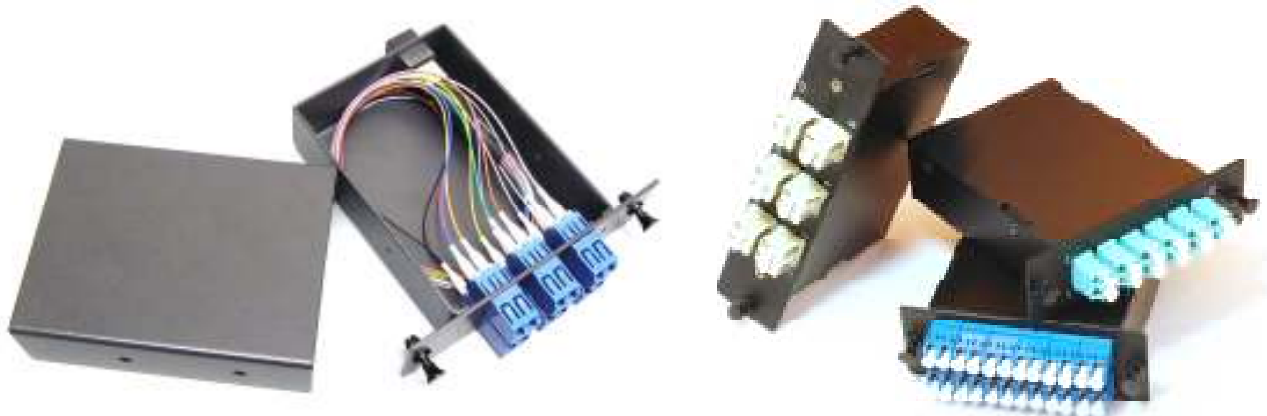


# HARDWARE

for cable management

Reference No: MK-0029/2-11  
Version: 2.0

## EASY-PLUG CASSETTE MODULES



### Features and Applications

- Simple to use, convenient installation
- High density easy-plug cassette solution up to 48-fiber per 1U rack enclosure
- Improve cable manageability
- Pre-installed 12 fiber MPO adapter at the rear, choices of FC, SC, ST, LC adaptors at the front panel (faceplate)
- Channel label & data label printed with insertion loss value for each port
- Can be pre-installed with factory-terminated & factory-tested MPO/MTP hydra assembly inside cassette module

### Available Options

#### Options of adapter interface and fiber count

	12-Fiber W-Type	12-Fiber L-Type	24-Fiber W-Type	24-Fiber L-Type
FC	Yes	No	No	No
SC	Yes	Yes	No	No
ST	Yes	No	No	No
LC	Yes	Yes	Yes	No

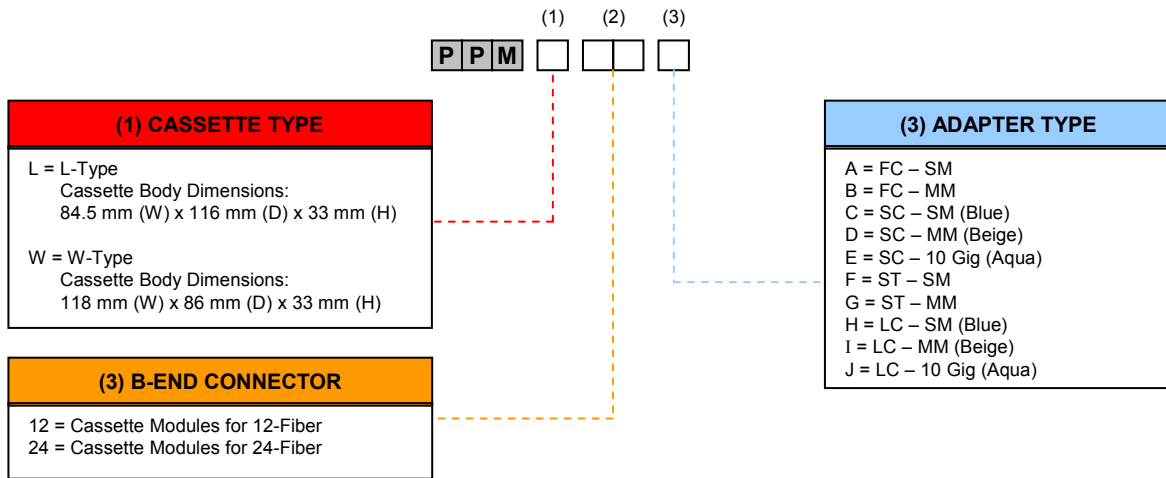
The information and specification in this document are subjected to change without notice.

### Optec Technology Ltd.

Unit 1701, 17/F., North Tower, World Finance Centre, 19 Canton Road, Kowloon, Hong Kong.  
Tel: +852-2301-8148 Fax: +852-2367-7978  
[www.optec.com.hk](http://www.optec.com.hk) Email: [sales@optec.com.hk](mailto:sales@optec.com.hk)

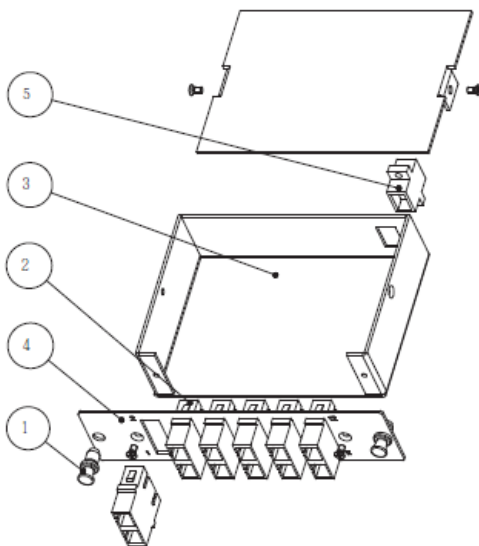
Your Valuable Partner in  
Connectivity Business

## Ordering Information



### EXAMPLE 1

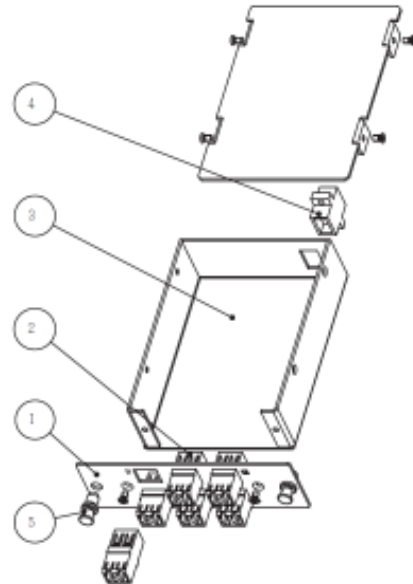
Catalogue No.: PPM-W-12-C  
Item Description: W-Type Cassette Module,  
12-Fiber, SC-SM (Blue) Adapter



- ① Plunger
- ② SC Duplex Adapter
- ③ Cassette Box
- ④ SC Adapter Panel
- ⑤ MTP Adapter

### EXAMPLE 2

Catalogue No.: PPM-L-12-J  
Item Description: L-Type Cassette Module,  
12-Fiber, LC-10 Gig (Aqua) Adapter



- ① LC Adapter Panel
- ② LC Duplex Adapter
- ③ Cassette Box
- ④ MTP Adapter
- ⑤ Plunger

The information and specification in this document are subjected to change without notice.

## Optec Technology Ltd.

Unit 1701, 17/F., North Tower, World Finance Centre, 19 Canton Road, Kowloon, Hong Kong.

Tel: +852-2301-8148 Fax: +852-2367-7978

[www.optec.com.hk](http://www.optec.com.hk) Email: [sales@optec.com.hk](mailto:sales@optec.com.hk)

*Your Valuable Partner in  
Connectivity Business*